



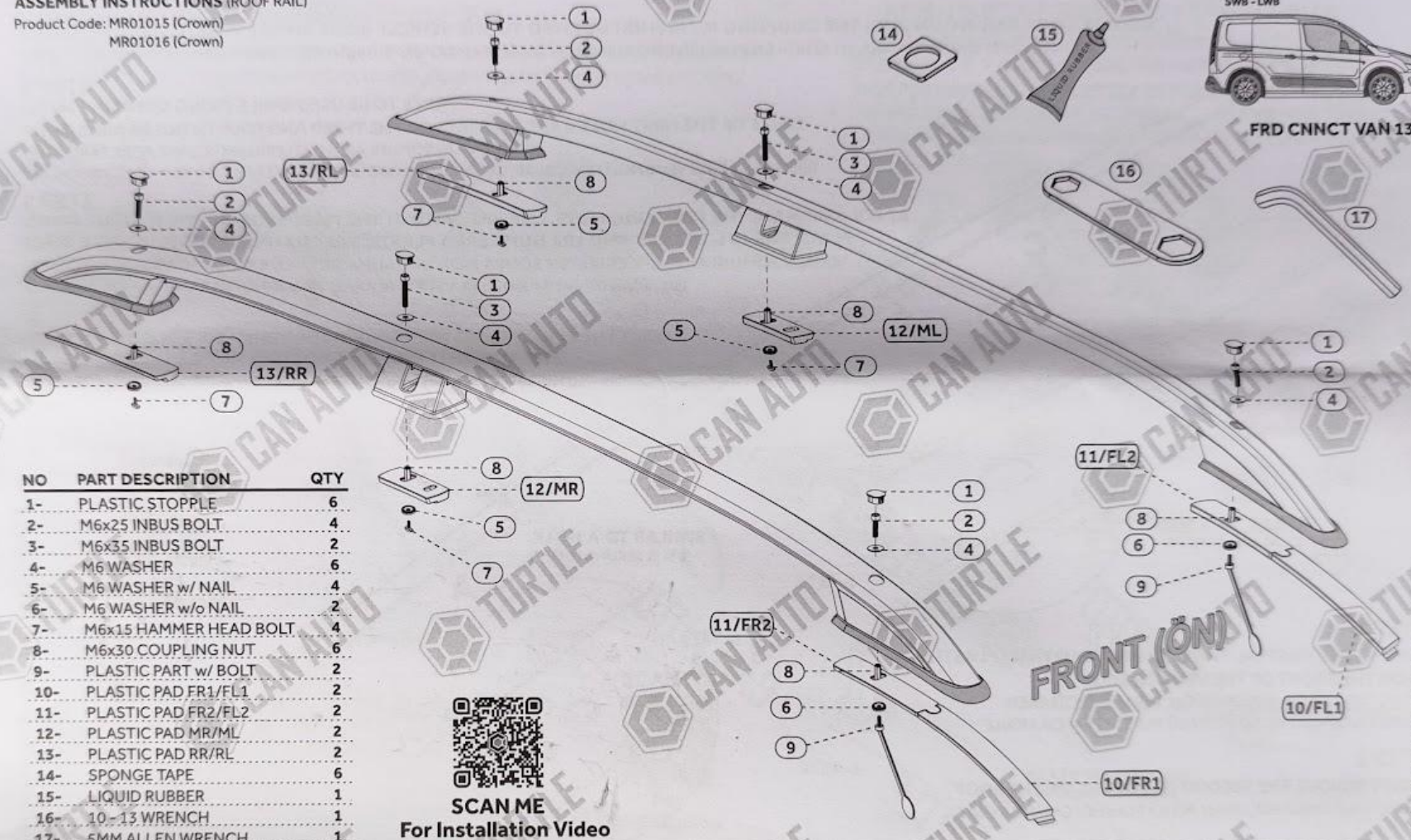
ASSEMBLY INSTRUCTIONS (ROOF RAIL)

Product Code: MR01015 (Crown)
MR01016 (Crown)

FIRST TIME INSTALLATION
* REMOVE PARTS FROM INSIDE THE PACKAGE AND CHECK THEM ALL
* CONTACT YOUR DEALER IF ANY PART IS MISSING OR DAMAGED
* USE THE EQUIPMENT SPECIFIED FOR INSTALLATION



FRD CNNECT VAN 13-



NO	PART DESCRIPTION	QTY
1-	PLASTIC STOPPLE	6
2-	M6x25 INBUS BOLT	4
3-	M6x35 INBUS BOLT	2
4-	M6 WASHER	6
5-	M6 WASHER w/ NAIL	4
6-	M6 WASHER w/o NAIL	2
7-	M6x15 HAMMER HEAD BOLT	4
8-	M6x30 COUPLING NUT	6
9-	PLASTIC PART w/ BOLT	2
10-	PLASTIC PAD FR1/FL1	2
11-	PLASTIC PAD FR2/FL2	2
12-	PLASTIC PAD MR/ML	2
13-	PLASTIC PAD RR/RL	2
14-	SPONGE TAPE	6
15-	LIQUID RUBBER	1
16-	10-13 WRENCH	1
17-	5MM ALLEN WRENCH	1



SCAN ME
For Installation Video

CAN OTOMOTIV İNŞ. İTH. İHR. SAN. VE TİC. LTD. ŞTİ.
Veliköy OSB 4. Cadde No:20/A Çerkezköy/TEKİRDAĞ

www.canotomotiv.com.tr / turtlecancarry.com / canauto.store / canauto.ru
+90 282 746 1320 info@canotomotiv.com.tr

MR01015-16 / Rev.02 / 21.11.2022 (KRST1) - PAGE 1/4



CAN AUTO **TURTLE**

FIRST TIME INSTALLATION

- * REMOVE PARTS FROM INSIDE THE PACKAGE AND CHECK THEM ALL
- * CONTACT YOUR DEALER IF ANY PART IS MISSING OR DAMAGED
- * USE THE EQUIPMENT SPECIFIED FOR INSTALLATION

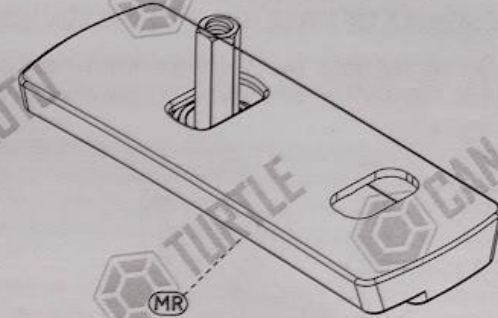
FRONT PLASTICS
(ÖN PLASTİKLER)

SCAN ME



**For
Installation**

MIDDLE PLASTICS
(ORTA PLASTİKLER)

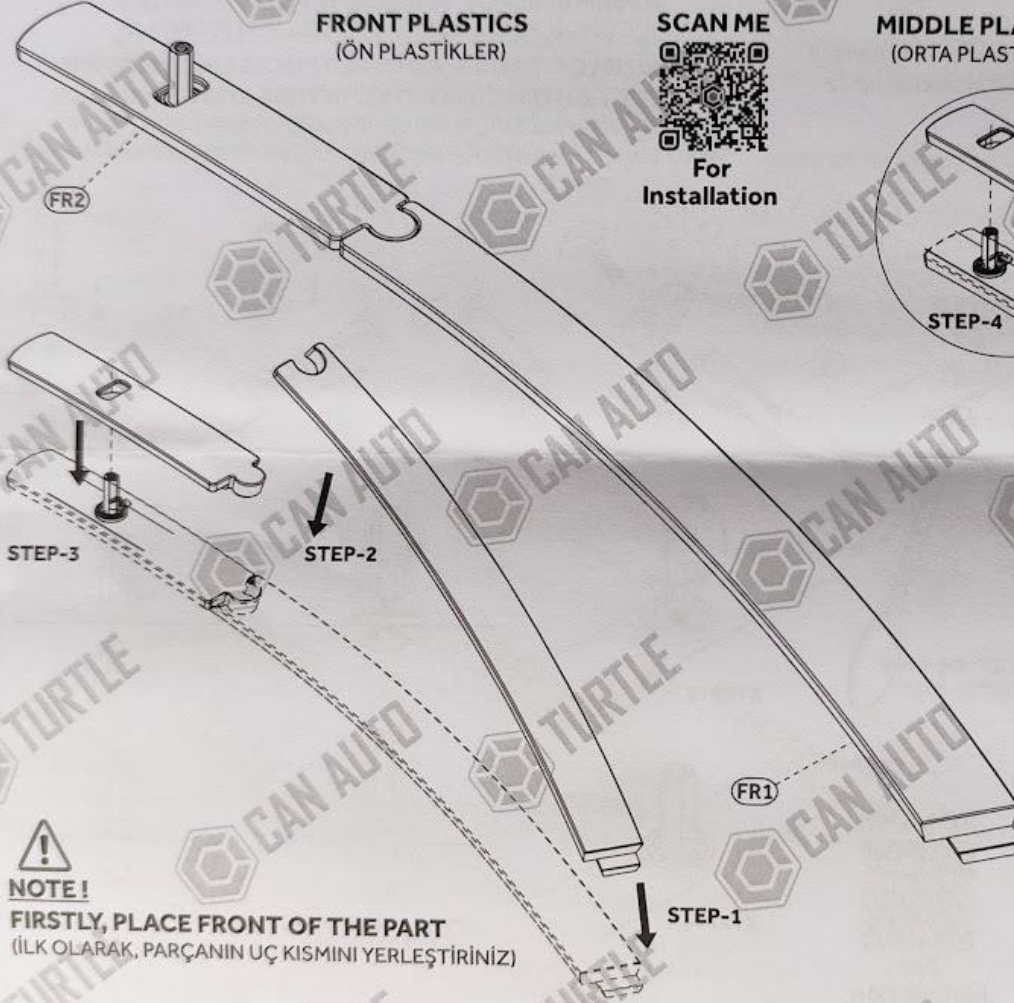


MR

REAR PLASTICS
(ARKA PLASTİKLER)



RR



NOTE!
FIRSTLY, PLACE FRONT OF THE PART
(İLK OLARAK, PARÇANIN UÇ KISIMINI YERLEŞTİRİNİZ)

CAN OTOMOTİV İNŞ. İTH. İHR. SAN. VE TİC. LTD. ŞTİ.
Veliköy OSB 4. Cadde No:20/A Çerkezköy/TEKİRDAĞ

www.canotomativ.com.tr / turtlecancarry.com / canauto.store/canauto.ru
+90 282 746 1320 info@canotomativ.com.tr

MR01015-16 / Rev.02 / 21.11.2022 (KRST) - PAGE 4/4